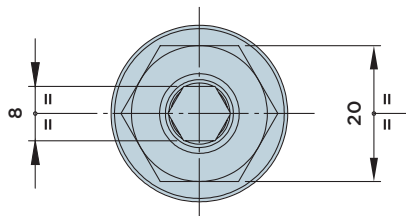
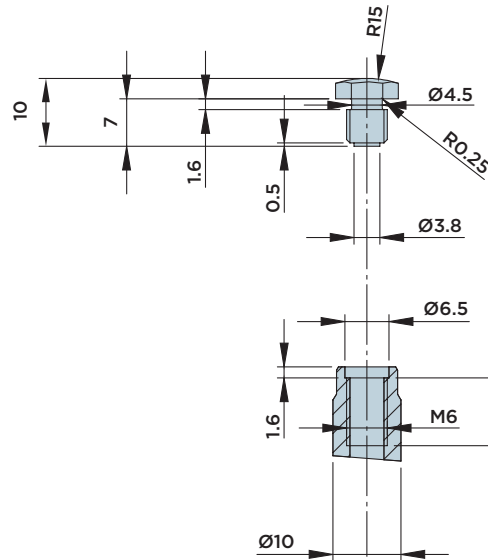
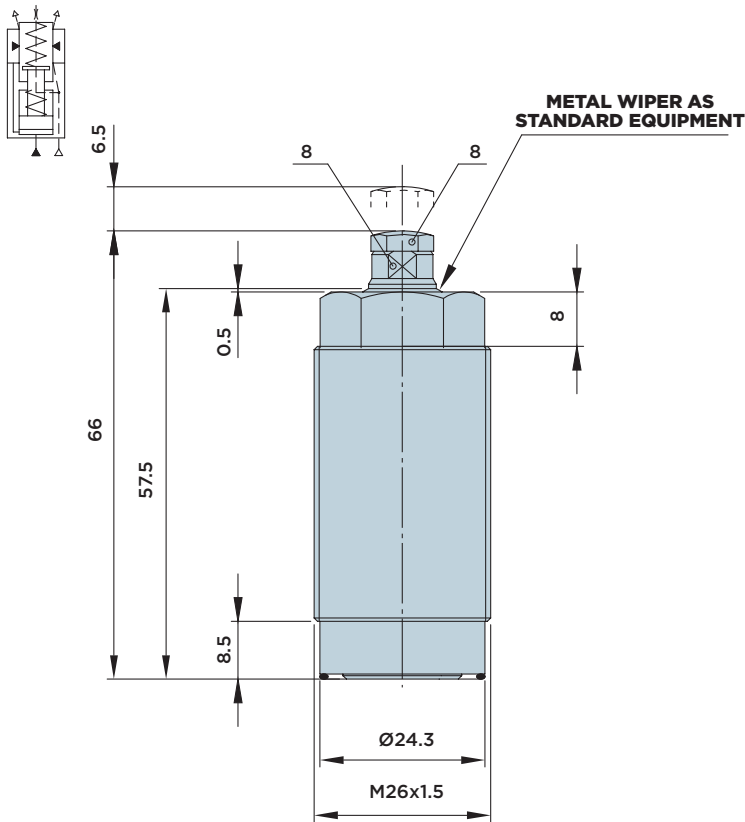


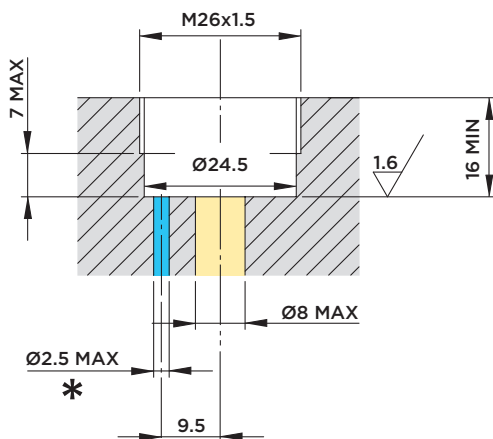
# IRFP 10.70

HYDRAULIC WORK SUPPORT WITH **THREADED BODY**

MAX. OPERATING PRESSURE = 70BAR

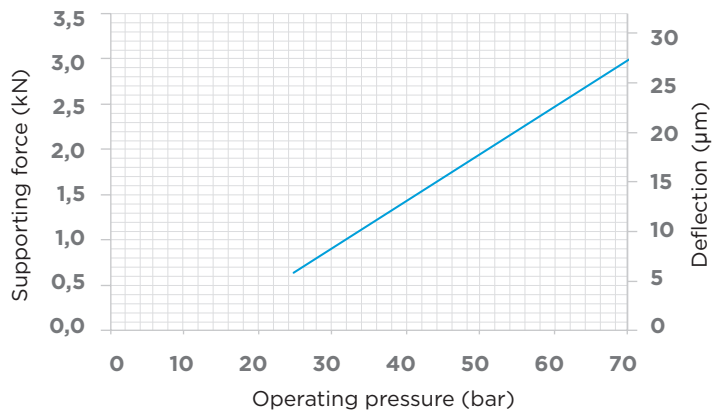


## INSTALLATION DIMENSIONS



\* Pneumatic supply: see page 281.

## FORCE/PRESSURE/DEFLECTION DIAGRAM



### Note:

The maximum admissible flow rate amounts to 1.5 l/min.

### Contact force:

- Standard 16±12 N
- Upon request 10±15 (order no. IRFP10.70S)
- Upon request 14±25 (order no. IRFP10.70H)

### Included in the scope of supply:

- O-Ring Ø12.42x1.78
- O-Ring Ø22x1.3

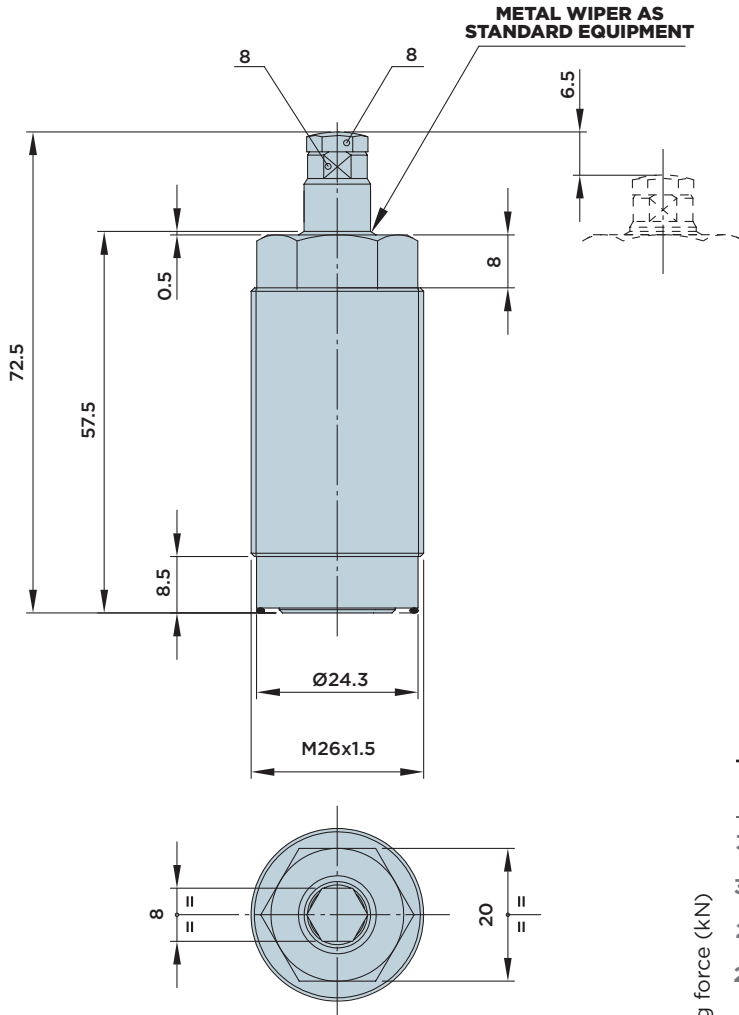
### Material:

- Piston/rod: Case-hardened steel, ground.
- Body: Free machining steel, nitrocarburized.

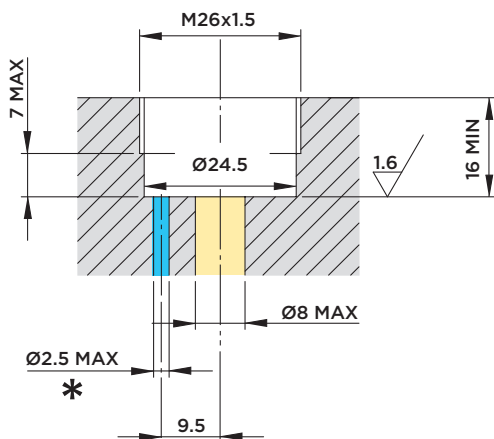
# IRFM 10.70

HYDRAULIC WORK SUPPORT WITH **THREADED BODY**

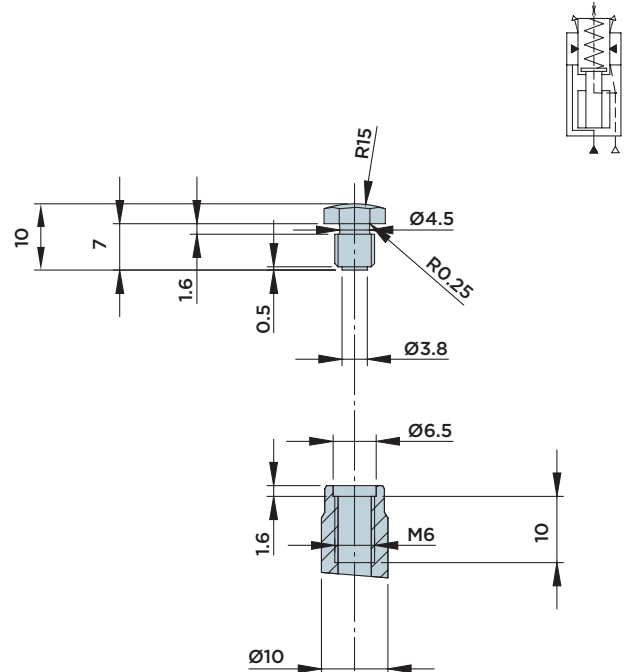
MAX. OPERATING PRESSURE = 70BAR



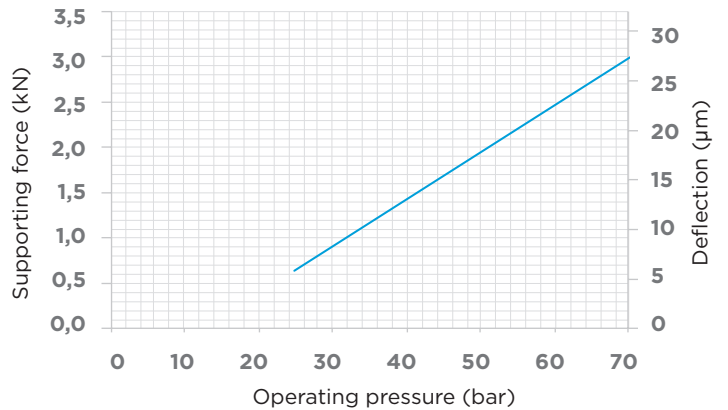
## INSTALLATION DIMENSIONS



\* Pneumatic supply: see page 281.



## FORCE/PRESSURE/DEFLECTION DIAGRAM



### Note:

The maximum admissible flow rate amounts to 1.5 l/min.

### Contact force:

- Standard 16÷12 N
- Upon request 10÷15 (order no. IRFM10.70S)
- Upon request 14÷25 (order no. IRFM10.70H)

### Included in the scope of supply:

- O-Ring Ø12.42x1.78
- O-Ring Ø22x1.3

### Material:

- Piston/rod: Case-hardened steel, ground.
- Body: Free machining steel, nitrocarburized.



HYDROBLOCK