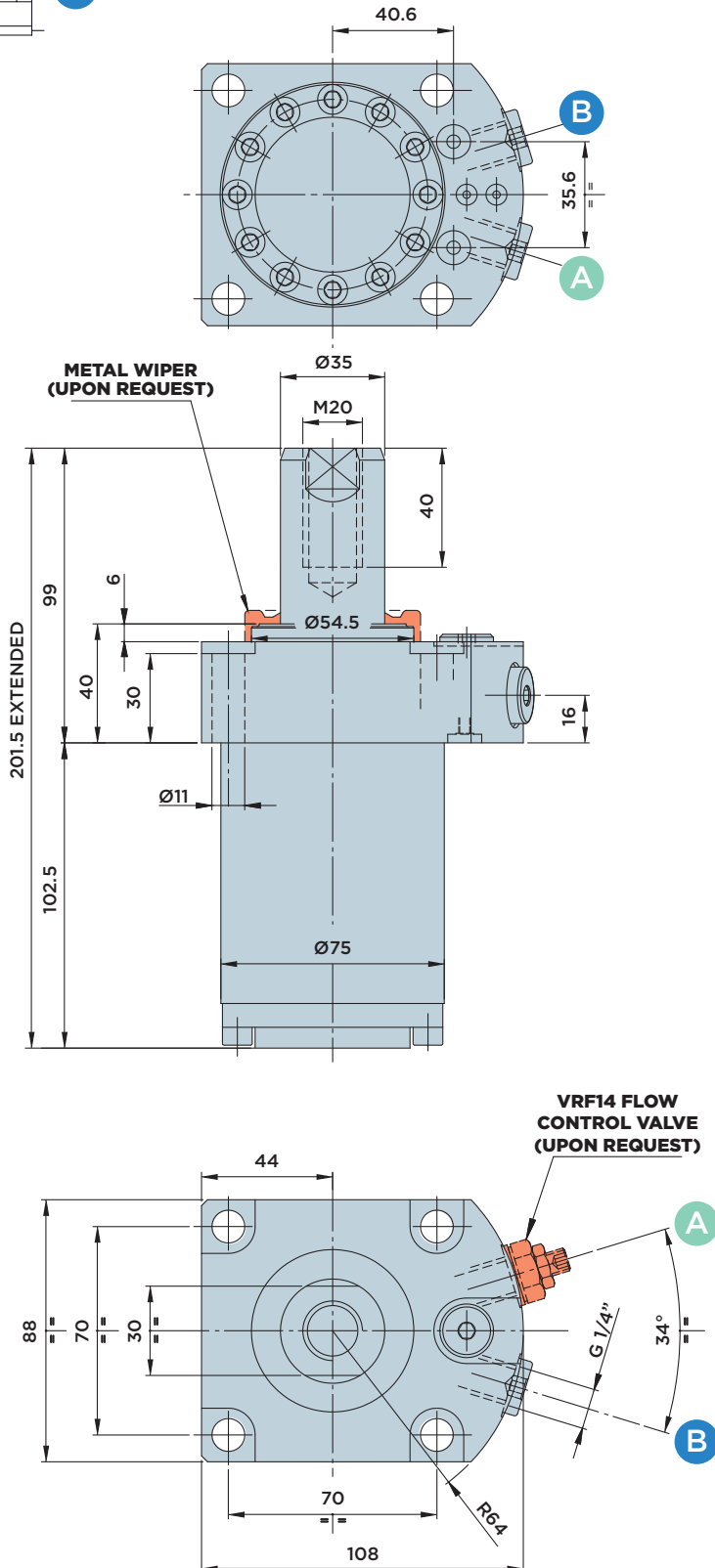
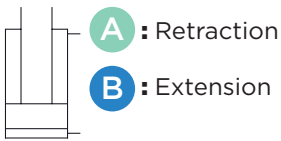


CT35.0 FD

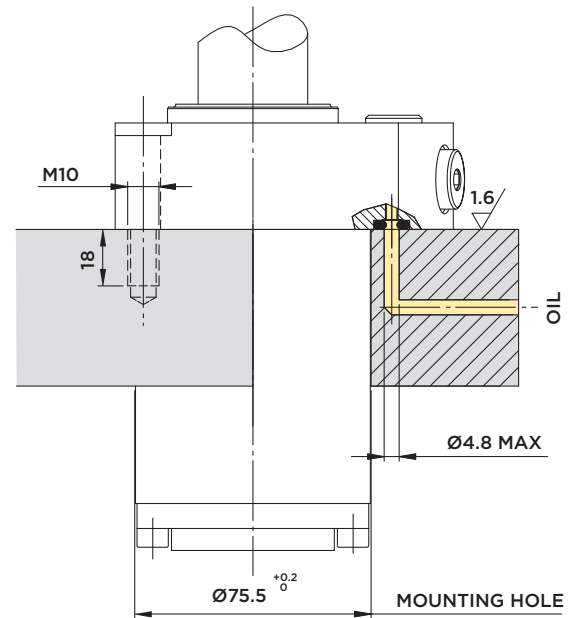


DOUBLE-ACTING PULL/PUSH CYLINDER WITH **UPPER FLANGE**
AND **ANTIROTATION DEVICE**

MAX. OPERATING PRESSURE = 500BAR



INSTALLATION DIMENSIONS WITH O-RING CONNECTION



Included in the scope of supply:

- Mounting screws M10x45 DIN 912/12.9 grade
- O-rings Ø4.34x3.53

Variants:

- Overload clutch (upon request).
- Metal wiper (upon request).

Material:

- Piston/rod: Case-hardened steel, ground.
- Body: Free machining steel, nitrocarburized.

Options:

- Different swinging angles available upon request (order code as for the SR series, see page 38 Example: CT35.0FDR90)
- The cylinder can also be ordered without antirotation device (order no. CT35.0FDN)

Note:

Clamping force diagram, see page 101

STROKE mm	EFFECTIVE PISTON AREA		TOTAL OIL VOLUME	
	Cm ²		Cm ³	
	RETRAC.	EXTEN.	RETRAC.	EXTEN.
TOTAL	36	14.1	23.8	85.7



CT35.0 CD

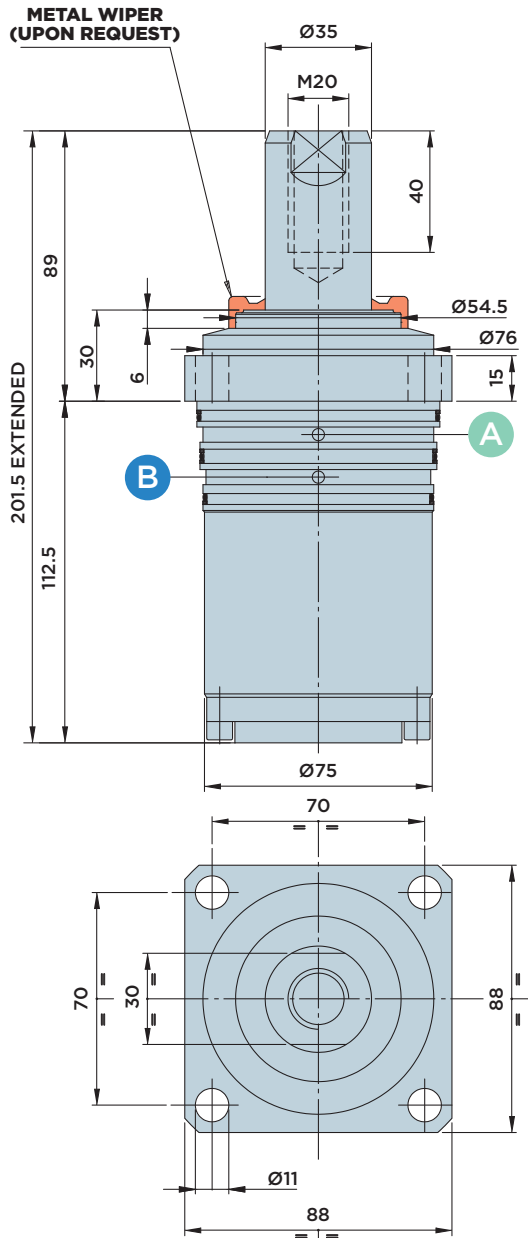


DOUBLE-ACTING PULL/PUSH CYLINDER WITH **CARTRIDGE BODY**
AND **ANTIROTATION DEVICE**

MAX. OPERATING PRESSURE = 500BAR

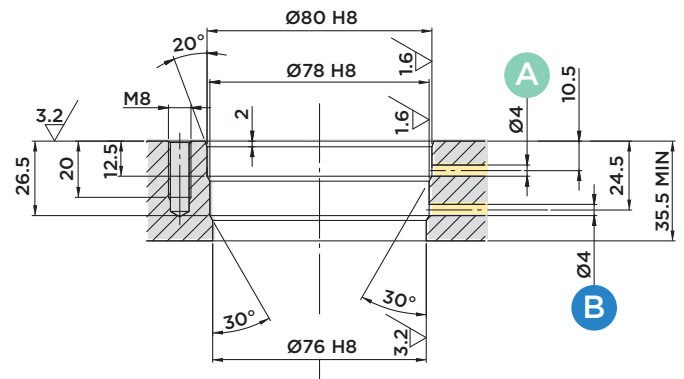
A : Retraction

B : Extension

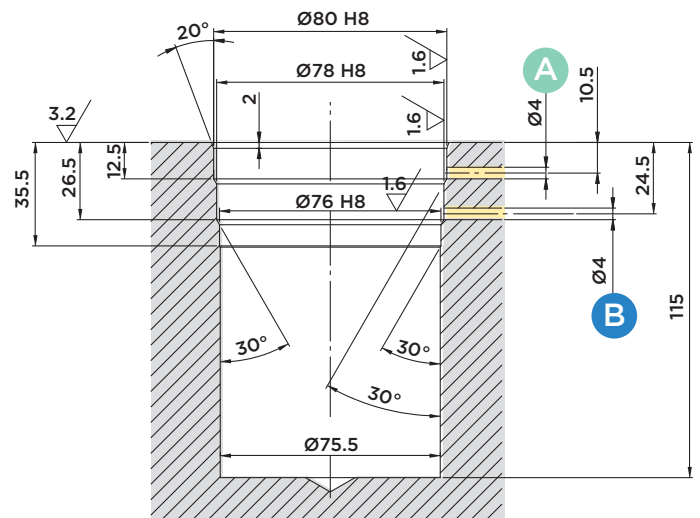


INSTALLATION DIMENSIONS

Through-hole mounting



Blind hole mounting



Options:

- Different swinging angles available upon request
(order code as for the SR series, see page 38
Example: CT35.0CDR90)
- The cylinder can also be ordered without antirotation device (order no. CT35.0CDN)

Included in the scope of supply:

- Mounting screws M10x30 DIN 912/12.9 grade

Material:

- Piston/rod: Case-hardened steel, ground.
- Body: Free machining steel, nitrocarburized.

Note:

Clamping force diagram, see page 101

STROKE mm	EFFECTIVE PISTON AREA		TOTAL OIL VOLUME		
	Cm ²		Cm ³		
	RETRAC.	EXTEN.	RETRAC.	EXTEN.	
TOTAL	36	14.1	23.8	50.8	85.7



HYDROBLOCK