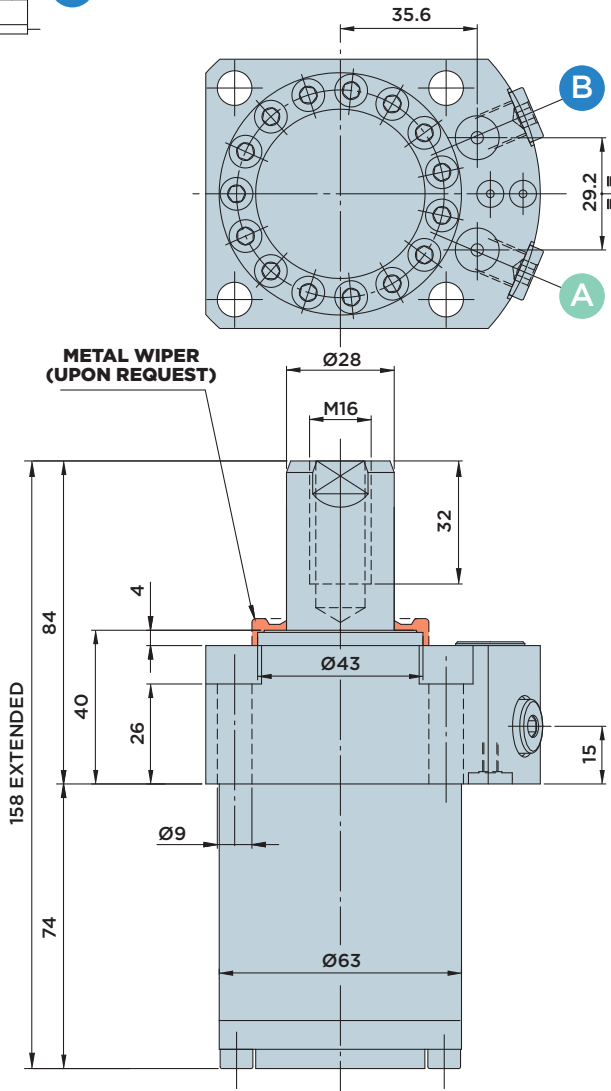
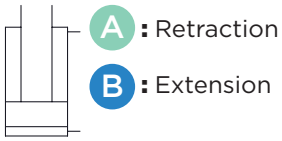


# CT28.0 FD

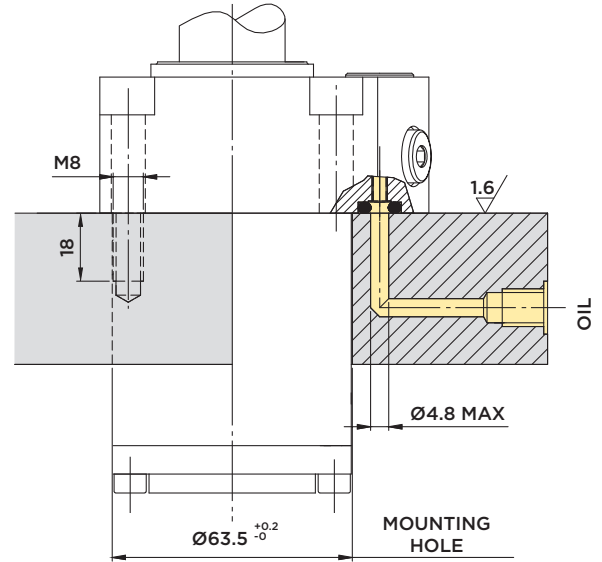


DOUBLE-ACTING PULL/PUSH CYLINDER WITH **UPPER FLANGE**  
AND **ANTIROTATION DEVICE**

MAX. OPERATING PRESSURE = 500BAR



## INSTALLATION DIMENSIONS WITH O-RING CONNECTION



### Included in the scope of supply:

- Mounting screws M6x40 DIN 912/12.9 grade
- O-rings Ø4.34x3.53

### Variants:

- Overload clutch (upon request).
- Metal wiper (upon request).

### Material:

- Piston/rod: Case-hardened steel, ground.
- Body: Free machining steel, nitrocarburized.

### Options:

- Different swinging angles available upon request (order code as for the SR series, see page 38 Example: CT28.OFDR90)
- The cylinder can also be ordered without antirotation device (order no. CT28.OFDN)

### Note:

Clamping force diagram, see page 91

STROKE mm	EFFECTIVE PISTON AREA		TOTAL OIL VOLUME		
	Cm <sup>2</sup>		Cm <sup>3</sup>		
	RETRAC.	EXTEN.	RETRAC.	EXTEN.	
<b>TOTAL</b>	28	9.75	15.9	27.3	44.5



HYDROBLOCK

# CT28.0 CD

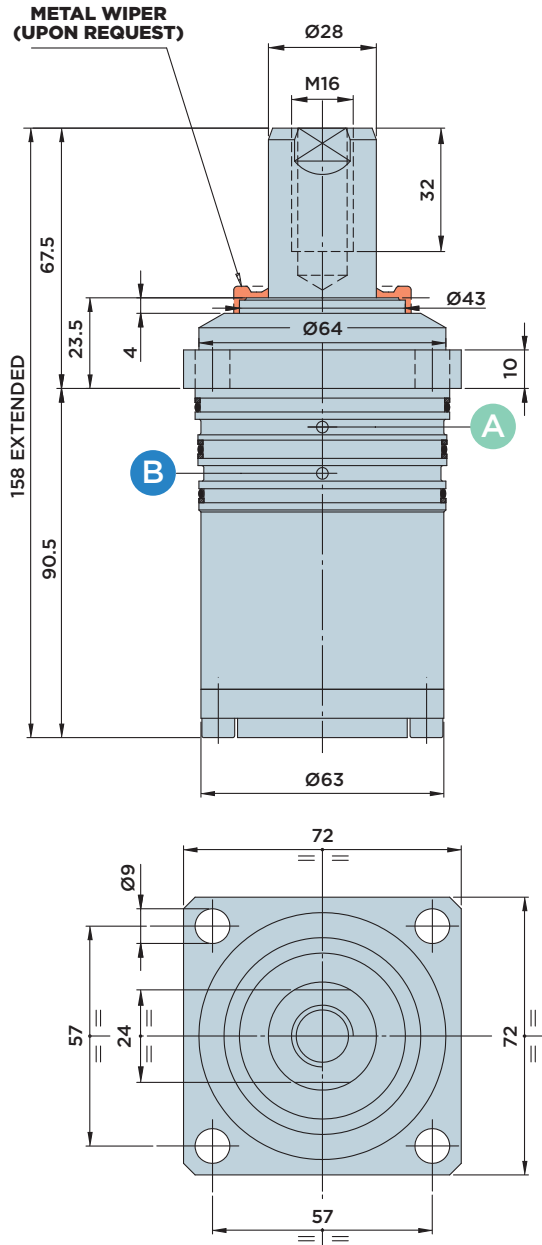


DOUBLE-ACTING PULL/PUSH CYLINDER WITH **CARTRIDGE BODY**  
AND **ANTIROTATION DEVICE**

MAX. OPERATING PRESSURE = 500BAR

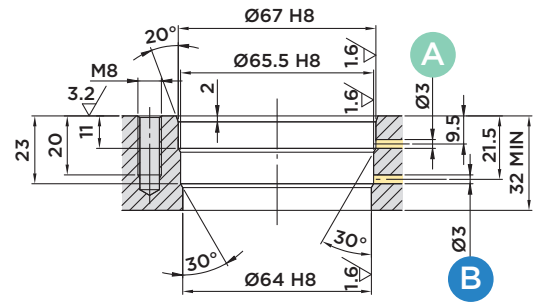
**A** : Retraction

**B** : Extension

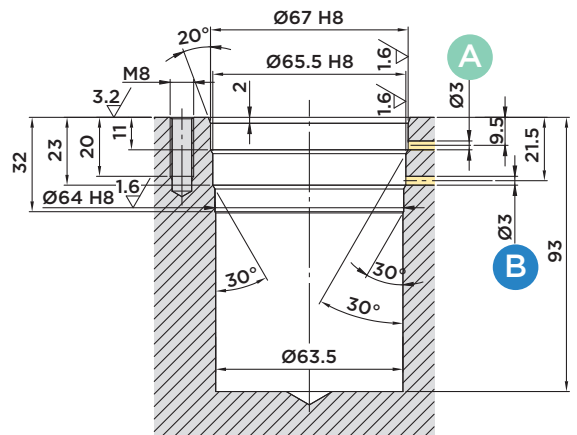


## INSTALLATION DIMENSIONS

### Through-hole mounting



### Blind hole mounting



### Options:

- Different swinging angles available upon request  
(order code as for the SR series, see page 38  
Example: CT28.0CDR90)
- The cylinder can also be ordered without antirotation device (order no. CT28.0CDN)

### Included in the scope of supply:

- Mounting screws M8x25 DIN 912/12.9 grade

### Material:

- Piston/rod: Case-hardened steel, ground.
- Body: Free machining steel, nitrocarburized.

### Note:

Clamping force diagram, see page 91

STROKE mm	EFFECTIVE PISTON AREA		TOTAL OIL VOLUME		
	RETRAC.	EXTEN.	RETRAZ.	RETRAC.	
<b>TOTAL</b>	28	9.75	15.9	27.3	44.5



HYDROBLOCK