

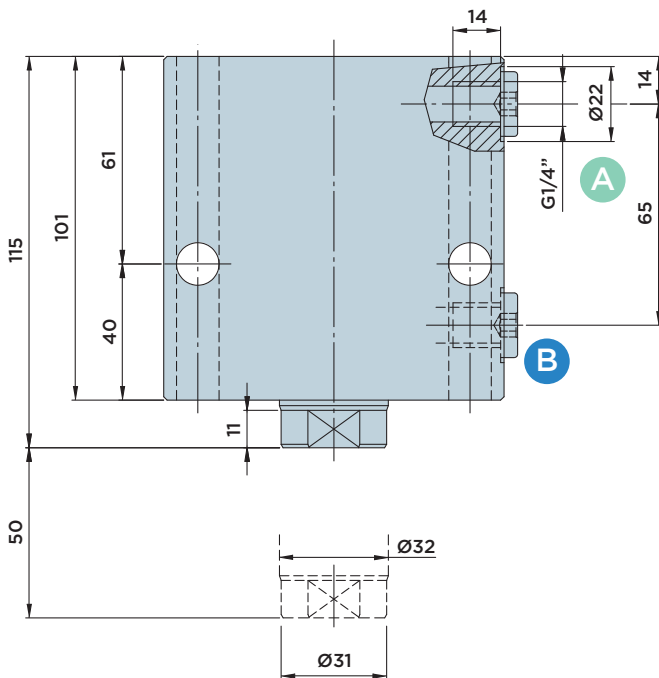
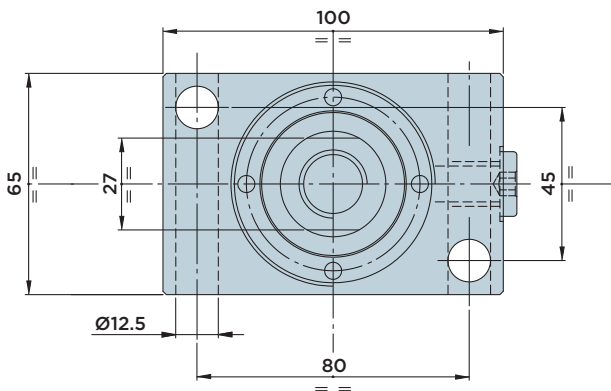
BS32.0

DOUBLE-ACTING BLOCK CYLINDER WITH **FLANGE** AND **IN-LINE PORTS**

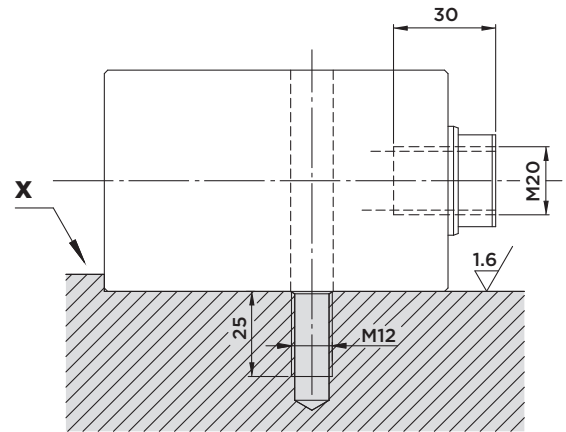
MAX. OPERATING PRESSURE = 500BAR

A : Extension

B : Retraction



INSTALLATION DIMENSIONS



Attention:

We recommend providing a stop ("X" in the figure) on the cylinder mounting support in order to prevent resulting shear forces from acting exclusively on the mounting screws.

Material:

- Piston/rod: Case-hardened steel, ground.
- Body: Free machining steel, nitrocarburized.

Note:

Customized versions are available upon request. Please contact HYDROBLOCK if you have special requirements in terms of stroke or mounting conditions.

STROKE mm	EFFECTIVE PISTON AREA		TOTAL OIL VOLUME		
	Cm ²		Cm ³		
	PUSHING	PULLING	PUSHING	PULLING	
TOTAL	50	19.63	11.6	98.2	58



HYDROBLOCK