

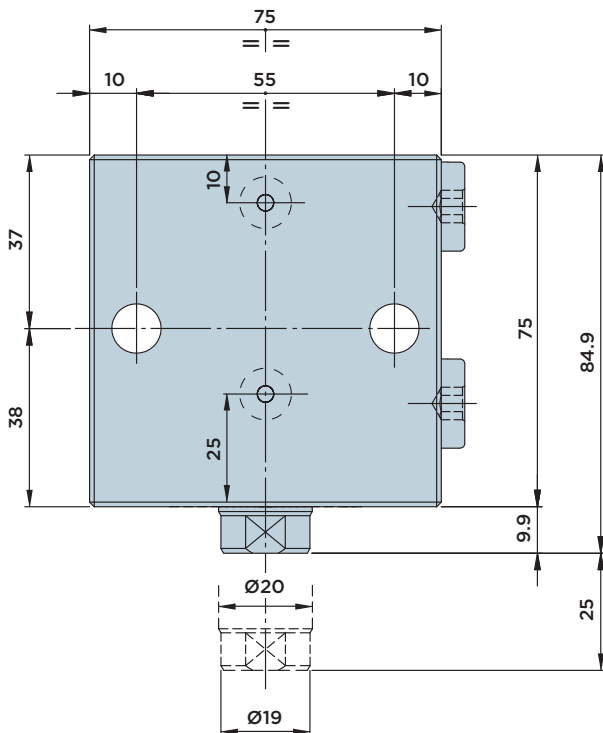
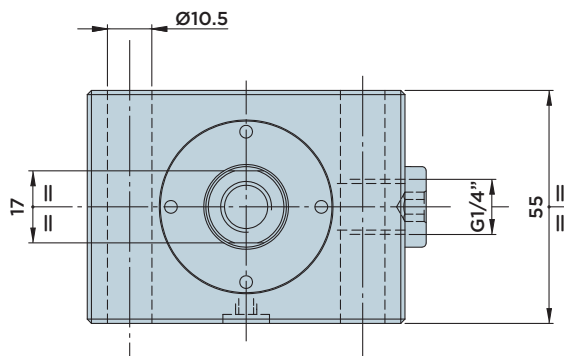
BS20.25

DOUBLE-ACTING BLOCK CYLINDER WITH **FLANGE** AND **IN-LINE PORTS**

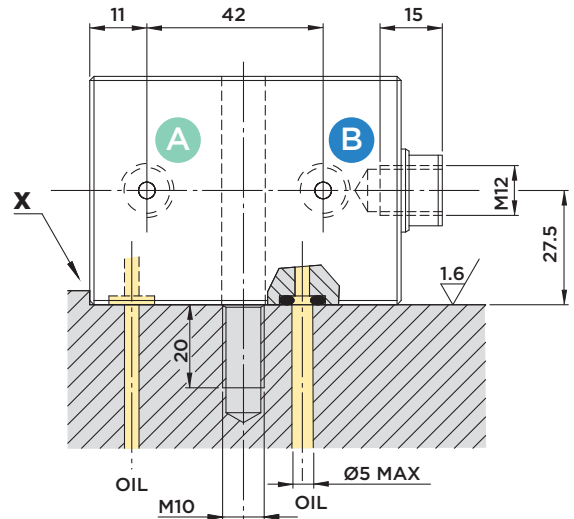
MAX. OPERATING PRESSURE = 500BAR

A : Extension

B : Retraction



INSTALLATION DIMENSIONS



Attention:

We recommend providing a stop ("X" in the figure) on the cylinder mounting support in order to prevent resulting shear forces from acting exclusively on the mounting screws.

Included in the scope of supply:

- Mounting screws M10x70 DIN 912/12.9 grade
- O-Rings Ø6.02x2.62

Material:

- Piston/rod: Case-hardened steel, ground.
- Body: Free machining steel, nitrocarburized

Note:

Customized versions are available upon request. Please contact HYDROBLOCK if you have special requirements in terms of stroke or mounting conditions.

STROKE mm	EFFECTIVE PISTON AREA		TOTAL OIL VOLUME		
	Cm ²		Cm ³		
	PUSHING	PULLING	PUSHING	PULLING	
TOTAL	25	8.04	4.9	20.1	12.3

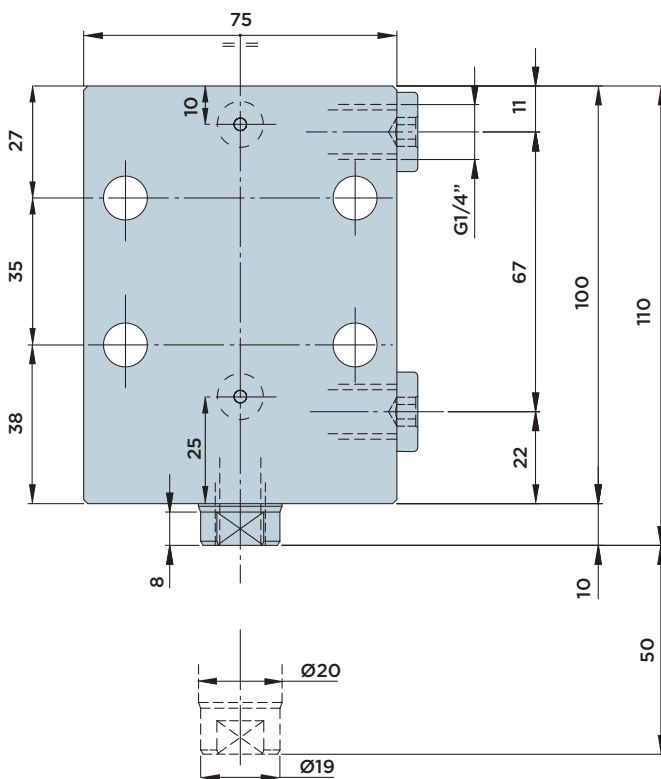
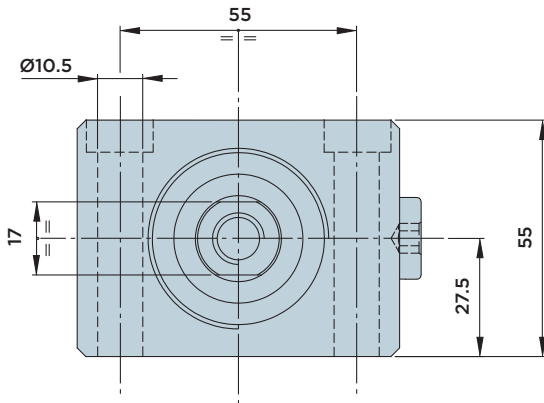
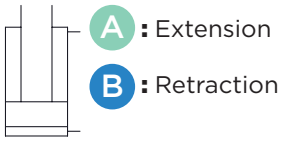


HYDROBLOCK

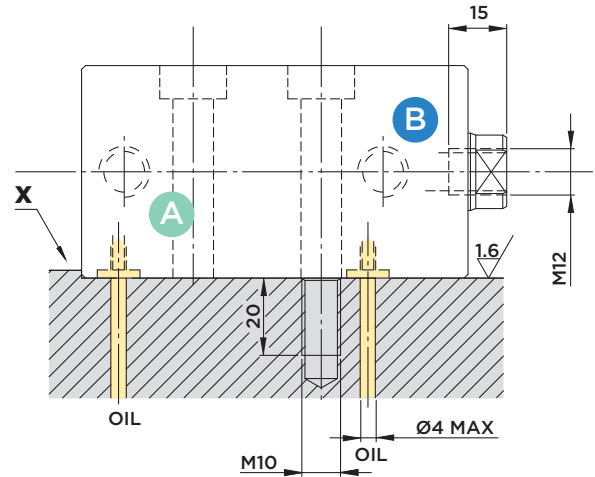
BS20.50

DOUBLE-ACTING BLOCK CYLINDER WITH **FLANGE** AND **IN-LINE PORTS**

MAX. OPERATING PRESSURE = 500BAR



INSTALLATION DIMENSIONS



Attention:

We recommend providing a stop ("X" in the figure) on the cylinder mounting support in order to prevent resulting shear forces from acting exclusively on the mounting screws.

Included in the scope of supply:

- Mounting screws M10x70 DIN 912/12.9 grade
- O-Rings Ø6.02x2.62

Material:

- Piston/rod: Case-hardened steel, ground.
- Body: Free machining steel, nitrocarburized.

Note:

Customized versions are available upon request. Please contact HYDROBLOCK if you have special requirements in terms of stroke or mounting conditions.

STROKE mm	EFFECTIVE PISTON AREA		TOTAL OIL VOLUME		
	Cm ²		Cm ³		
	PUSHING	PULLING	PUSHING	PULLING	
TOTAL	50	8.04	4.9	40.2	24.5



HYDROBLOCK

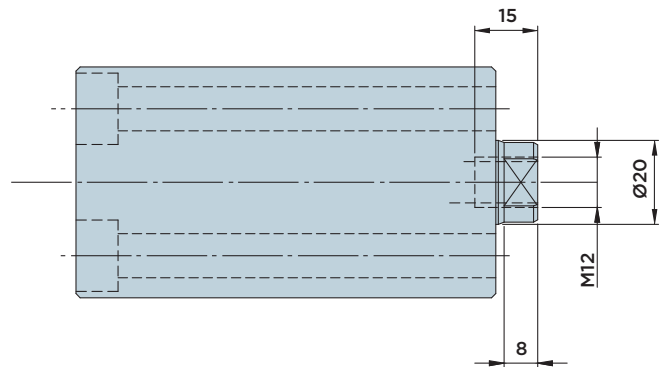
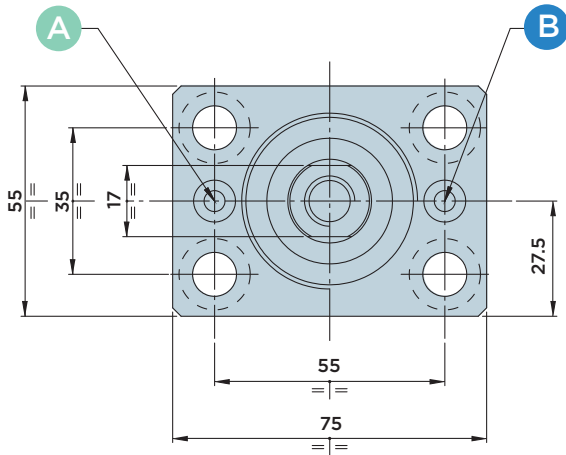
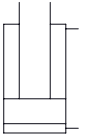
BS20.50 F

DOUBLE-ACTING BLOCK CYLINDER WITH **FRONT FLANGE**

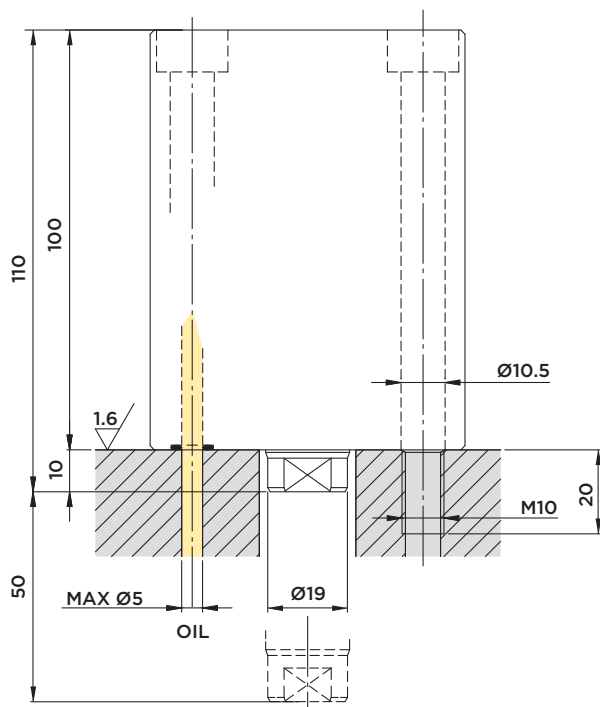
MAX. OPERATING PRESSURE = 500BAR

A : Extension

B : Retraction



INSTALLATION DIMENSIONS



Included in the scope of supply:

- O-Rings Ø6.75x1.78

Material:

- Piston/rod: Case-hardened steel, ground.
- Body: Free machining steel, nitrocarburized.

Note:

Customized versions are available upon request. Please contact HYDROBLOCK if you have special requirements in terms of stroke or mounting conditions.

STROKE mm	EFFECTIVE PISTON AREA		TOTAL OIL VOLUME		
	Cm ²		Cm ³		
	PUSHING	PULLING	PUSHING	PULLING	
TOTAL	50	8.04	4.9	40.2	24.5



HYDROBLOCK