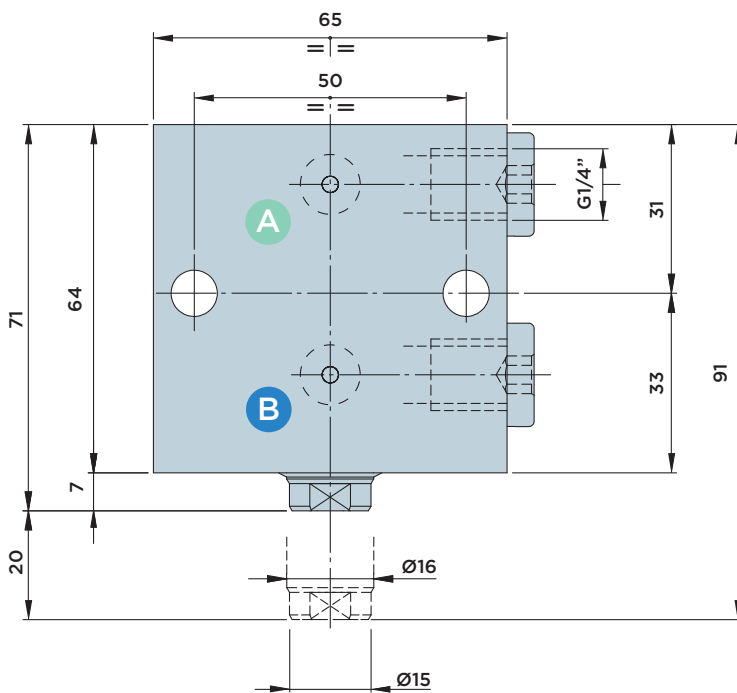
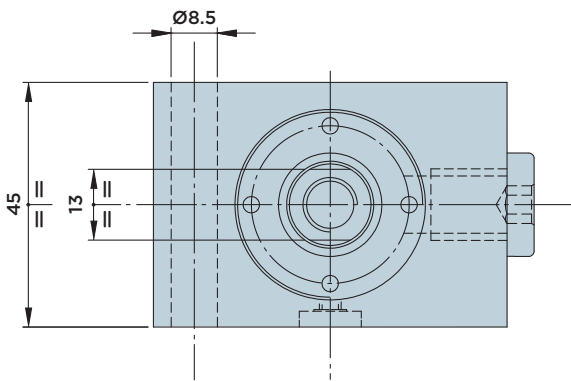
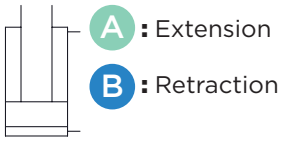


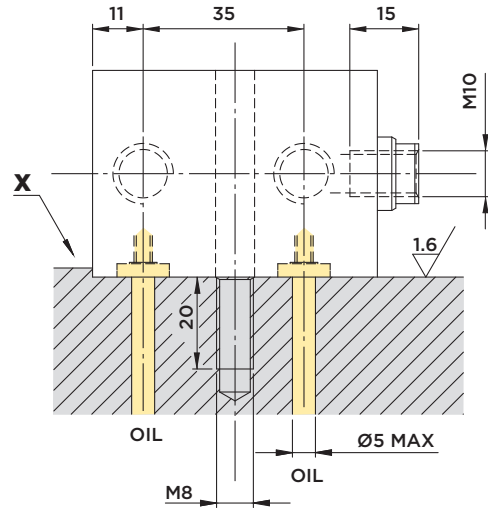
BS16.20

DOUBLE-ACTING BLOCK CYLINDER WITH **FLANGE** AND **IN-LINE PORTS**

MAX. OPERATING PRESSURE = 500BAR



INSTALLATION DIMENSIONS



Attention:

We recommend providing a stop ("X" in the figure) on the cylinder mounting support in order to prevent resulting shear forces from acting exclusively on the mounting screws.

Included in the scope of supply:

- Mounting screws M8x60 DIN 912/12.9 grade
- O-Rings $\varnothing 4.34 \times 3.53$

Material:

- Piston/rod: Case-hardened steel, ground.
- Body: Free machining steel, nitrocarburized.

Note:

Customized versions are available upon request. Please contact HYDROBLOCK if you have special requirements in terms of stroke or mounting conditions.

STROKE mm	EFFECTIVE PISTON AREA		TOTAL OIL VOLUME		
	Cm ²		Cm ³		
	PUSHING	PULLING	PUSHING	PULLING	
TOTAL	20	4.91	2.9	9.8	5.8