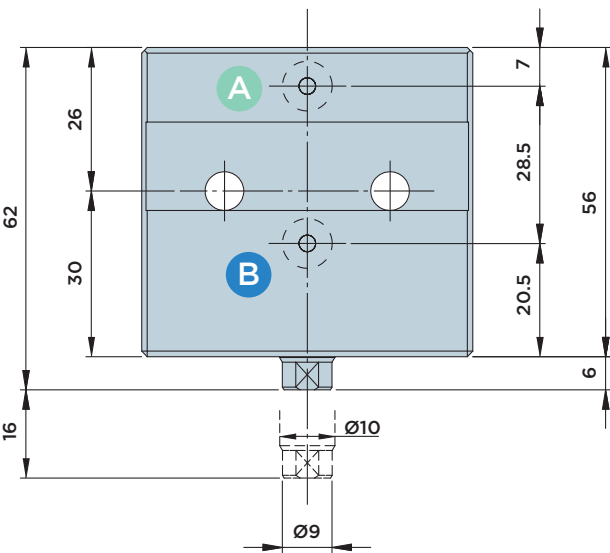
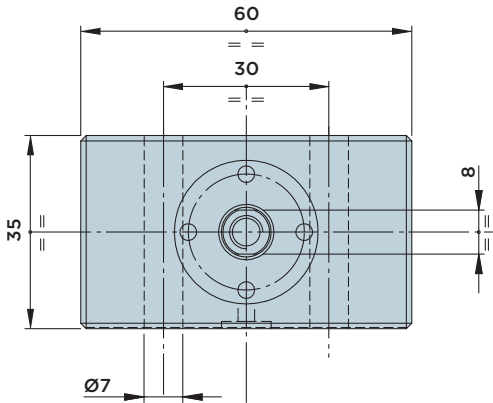
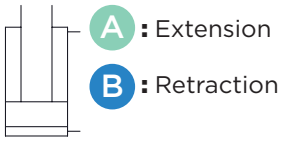


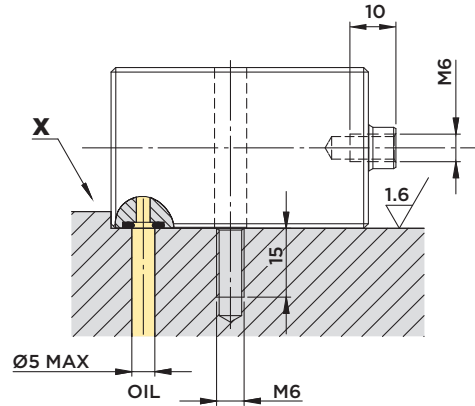
# BS10.16

DOUBLE-ACTING BLOCK CYLINDER WITH **FLANGE**

MAX. OPERATING PRESSURE = 500BAR



## INSTALLATION DIMENSIONS



### Attention:

We recommend providing a stop ("X" in the figure) on the cylinder mounting support in order to prevent resulting shear forces from acting exclusively on the mounting screws.

### Included in the scope of supply:

- Mounting screws M6x45 DIN 912/12.9 grade
- O-Rings Ø6.07x1.78

### Material:

- Piston/rod: Case-hardened steel, ground.
- Body: Free machining steel, nitrocarburized.

### Note:

Customized versions are available upon request. Please contact HYDROBLOCK if you have special requirements in terms of stroke or mounting conditions.

STROKE mm	EFFECTIVE PISTON AREA		TOTAL OIL VOLUME		
	Cm <sup>2</sup>		Cm <sup>3</sup>		
	PUSHING	PULLING	PUSHING	PULLING	
<b>TOTAL</b>	16	2.01	1.22	3.2	2