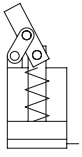


CGF26.0

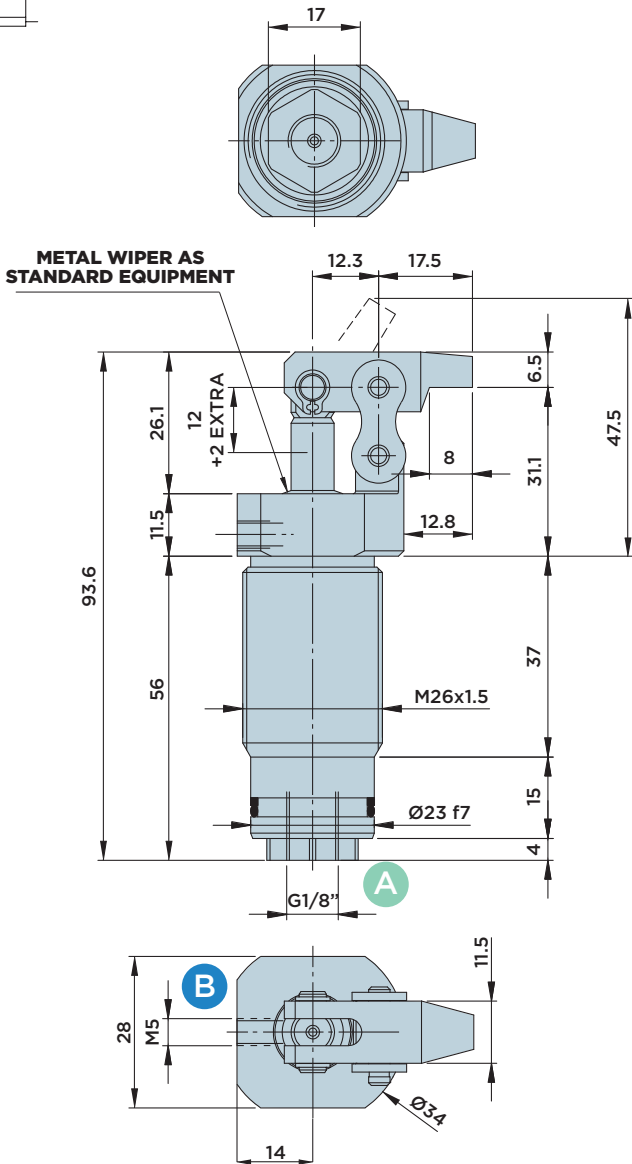
SINGLE-ACTING **LINK CLAMP CYLINDER**

MAX. OPERATING PRESSURE = 200BAR

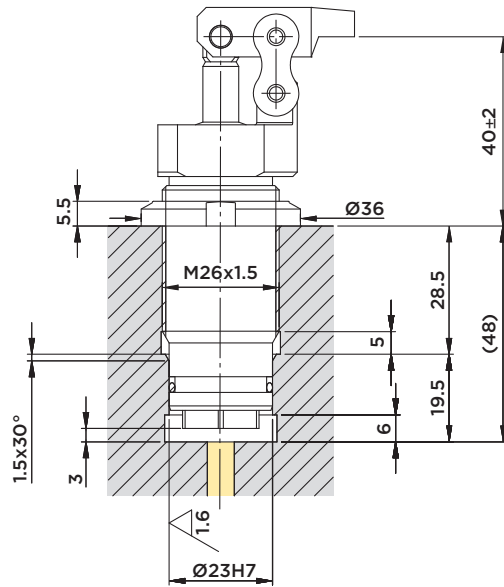


A : Clamping

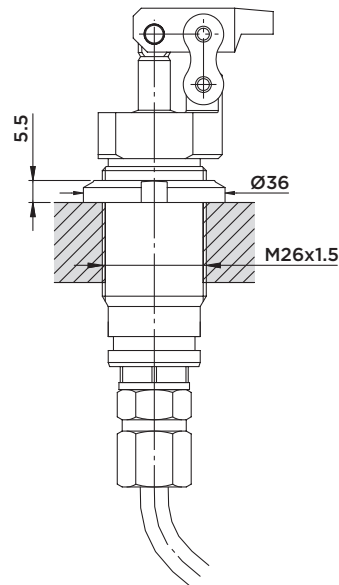
B : Venting



BLIND HOLE MOUNTING



THROUGH-HOLE MOUNTING



Included in the scope of supply:

- Ring nut M26x1.5.

Material:

- Piston/rod/bolts: Case-hardened steel, ground.
- Body: Free machining steel, nitrocarburized.
- Connecting link: Commercial type.
- Clamp arm: C45.

Options:

- Upon request, different clamp arm types can be manufactured to customer specification, mounted and commissioned.
- The link clamp cylinder can also be ordered without clamp arm (order no. CGF26.0N)

STROKE mm	EFFECTIVE PISTON AREA	TOTAL OIL VOLUME
	Cm ²	Cm ³
TOTAL	14	
	CLAMP.	CLAMP.
	1.54	2.2



HYDROBLOCK