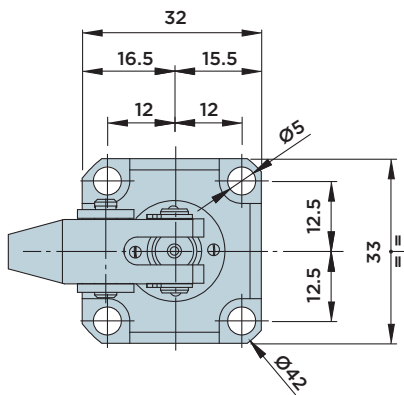
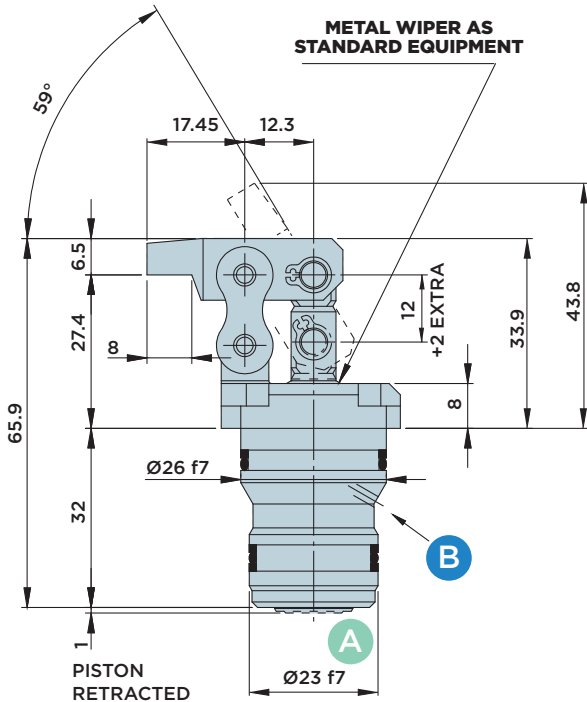
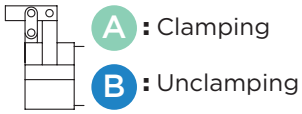


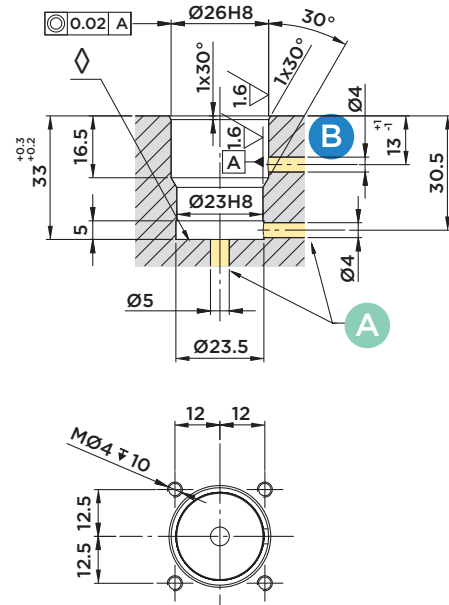
# CG8.200 CD

DOUBLE-ACTING **LINK CLAMP CYLINDER**

MAX. OPERATING PRESSURE = 200BAR



## INSTALLATION DIMENSIONS



◇ Piston contact surface

### Included in the scope of supply:

- Mounting screws M4x12 DIN 912/12.9 grade

### Material:

- Piston/rod/bolts: Case-hardened steel, ground.
- Body: Free machining steel, nitrocarburized.
- Lever: Quenched and Tempered steel.
- Clamp arm: C45.

### Options:

- Upon request, different clamp arm types can be manufactured to customer specification, mounted and commissioned.
- The link clamp cylinder can also be ordered without clamp arm (order no. CG8.200CDN).

STROKE mm	EFFECTIVE PISTON AREA		TOTAL OIL VOLUME	
	Cm <sup>2</sup>		Cm <sup>3</sup>	
	CLAMP.	UNCLAMP.	CLAMP.	UNCLAMP.
<b>TOTAL</b> 14	1.54	1.04	2.2	1.5



HYDROBLOCK