

# SRA20.0 FD

DOUBLE-ACTING SWING CYLINDER WITH INTEGRATED WORK SUPPORT,

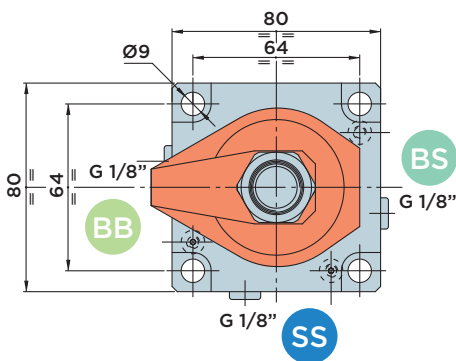
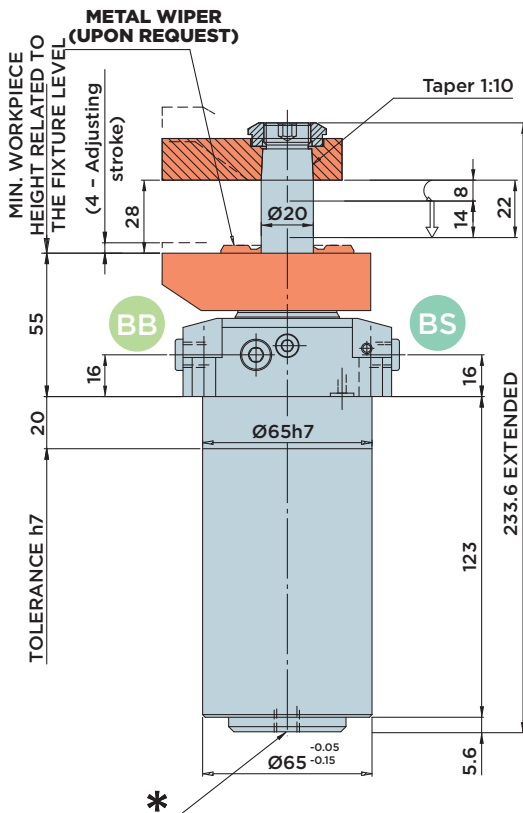
SELF-ADJUSTING, WITH **UPPER FLANGE**

MAX. OPERATING PRESSURE = 250BAR

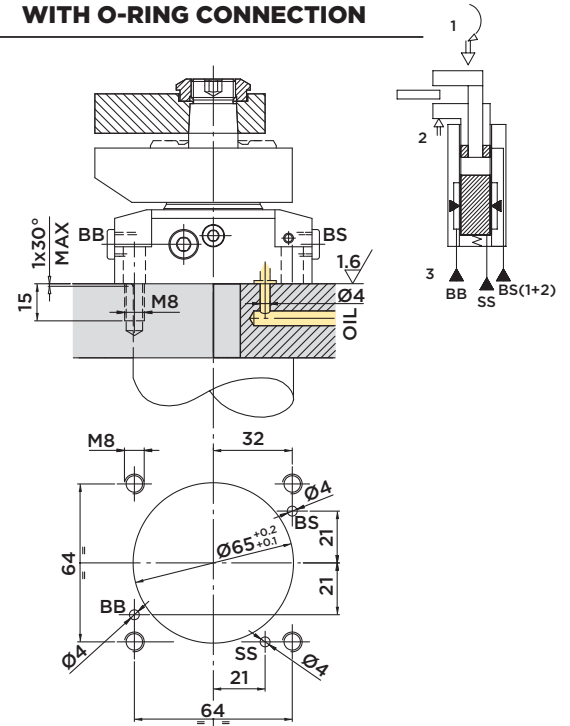
**BS** : Clamp arm clamping

**SS** : Clamp arm unclamping

**BB** : Sleeve clamping



## INSTALLATION DIMENSIONS WITH O-RING CONNECTION



\* Venting: We recommend installing a connection with a vent line leading into an area that is free from liquids and chips.

### Included in the scope of supply:

- Mounting screws M8x30 DIN 912/12.9 grade
- O-Rings Ø6.07x1.78

### Material:

- Piston/rod: Case-hardened steel, ground
- Body: Free machining steel, nitrocarburized

### Note:

Max. admissible flow rate: 2,5 l/min  
Clamping force diagram, see page 112

STROKE mm	EFFECTIVE PISTON AREA		TOTAL OIL VOLUME	
	Cm <sup>2</sup>		Cm <sup>3</sup>	
<b>TOTAL</b>	22	CLAMP. UNCLAMP.	CLAMP. UNCLAMP.	
SWINGING	8	1.38 4.52	3	9.9
CLAMPING	14			

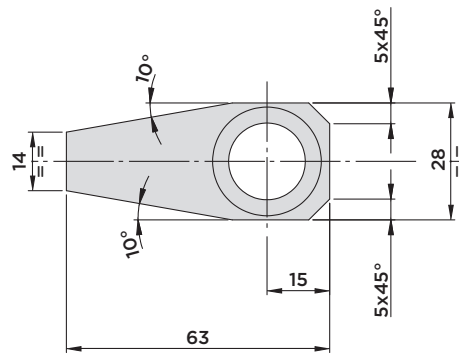
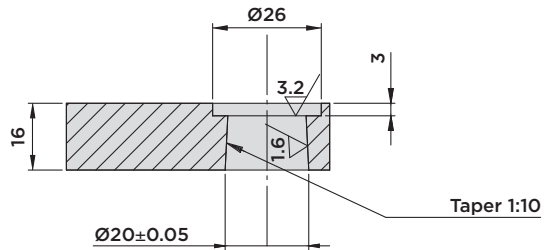


HYDROBLOCK

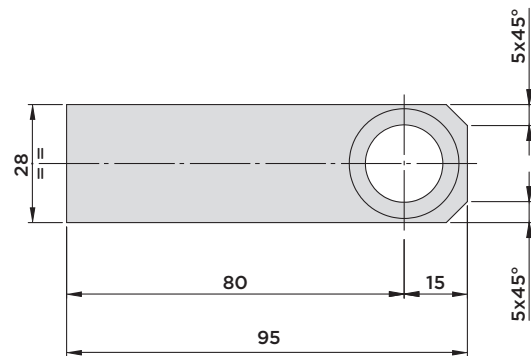
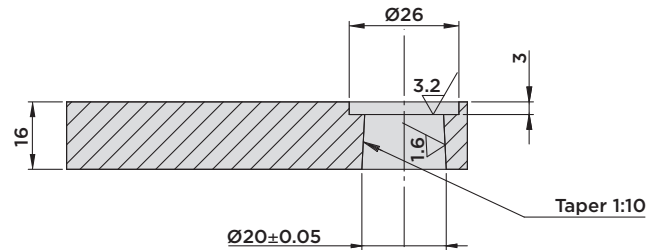
# SRA20 SERIES

## • ACCESSORIES

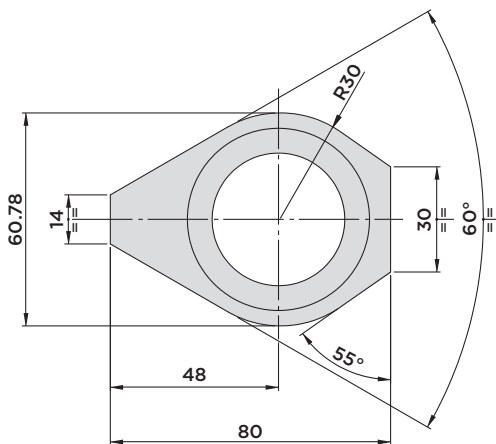
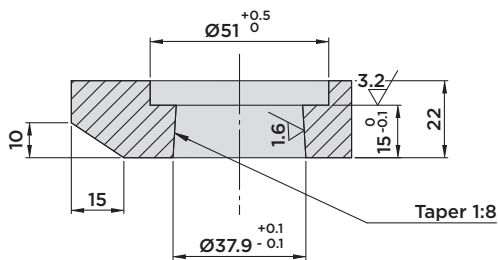
### CLAMP ARM 01.SRA20



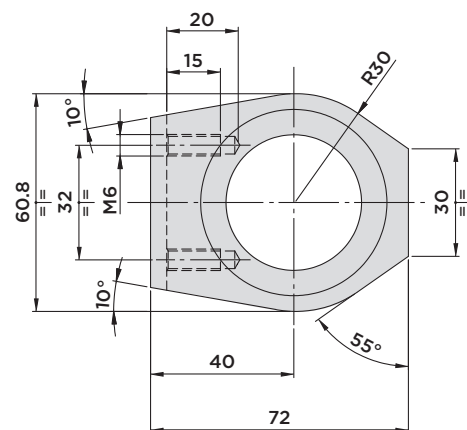
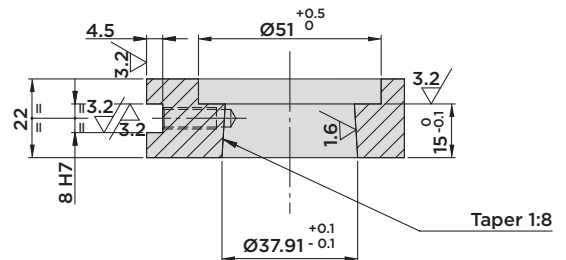
### CLAMP ARM 07.SRA20



### CLAMP ARM 11.SRA20



### CLAMP ARM 12.SRA20



Material: C45



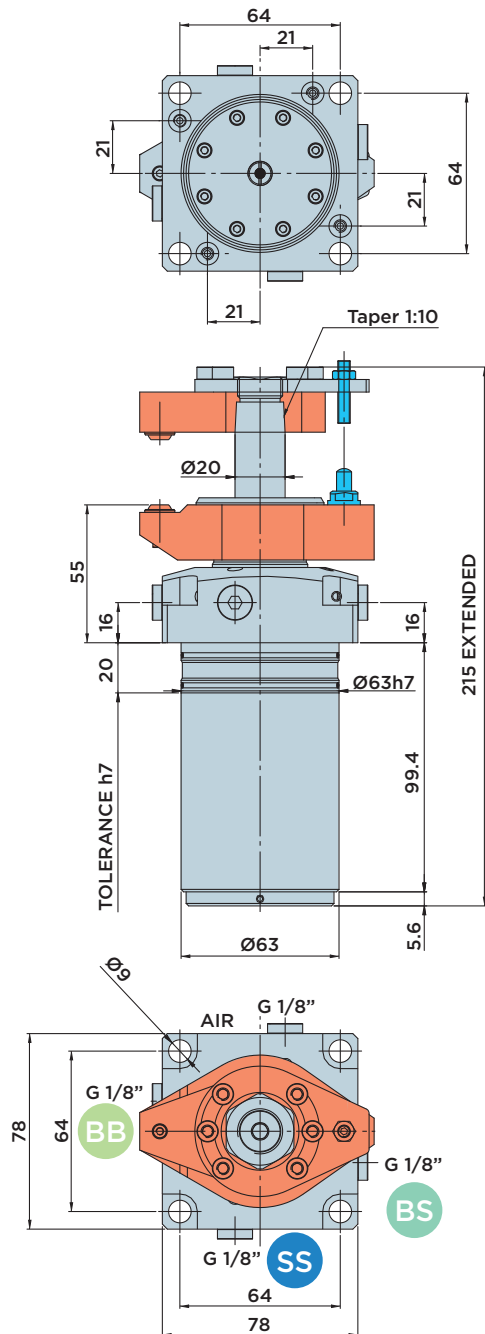
HYDROBLOCK

# SRA20.0FDSV

MAX. PRESSURE = 250BAR

DOUBLE-ACTING SWING CYLINDER WITH INTEGRATED WORK SUPPORT, SELF-ADJUSTING,  
WITH **UPPER FLANGE** AND **CLAMP ARM POSITION CONTROL VALVE**

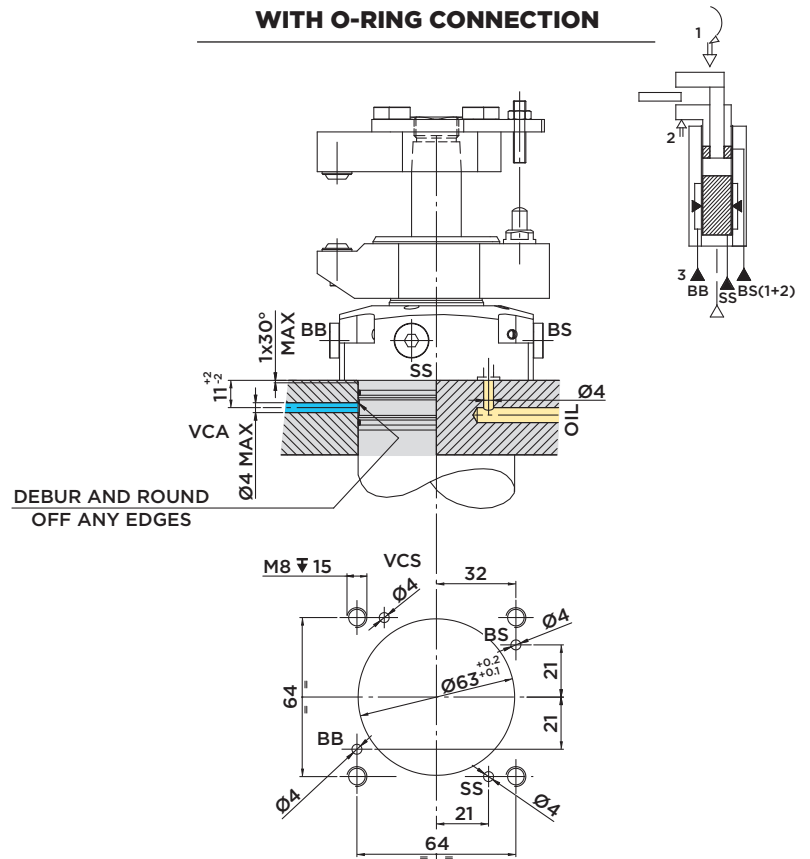
- BS** : Clamp arm clamping
- SS** : Clamp arm unclamping
- BB** : Sleeve clamping



### Options:

The swing clamp cylinder is also available without VCS10/VCS13 clamp arm position or workpiece control valve.  
Order code SRA20.0FDSV

### INSTALLATION DIMENSIONS WITH O-RING CONNECTION



### Included in the scope of supply:

- Mounting screws M8x30 DIN 912/12.9 grade
- O-Rings Ø6.07x1.78

### Material:

- Piston/rod: Case-hardened steel, ground
- Body: Free machining steel, nitrocarburized

### Note:

Max. admissible flow rate: 2,5 l/min  
Clamping force diagram, see page 112

STROKE mm	EFFECTIVE PISTON AREA		TOTAL OIL VOLUME	
	Cm <sup>2</sup>		Cm <sup>3</sup>	
<b>TOTAL</b>	22			
	CLAMP.	UNCLAMP.	CLAMP.	UNCLAMP.
SWINGING	8			
	1.38	4.52	3	9.9
CLAMPING	14			



HYDROBLOCK