

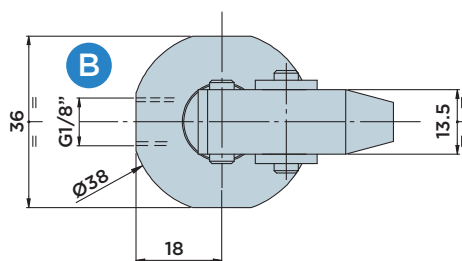
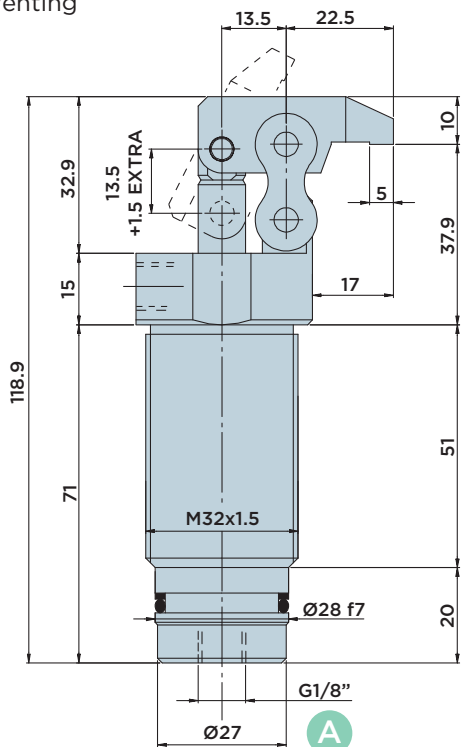
CGF32.0

SINGLE-ACTING **LINK CLAMP CYLINDER**

MAX. OPERATING PRESSURE = 200BAR

A : Clamping

B : Venting



Included in the scope of supply:

- Ring nut M32x1.5.

Available upon request:

A second M32x1.5 ring nut for mounting in unthreaded through-holes can additionally be delivered.

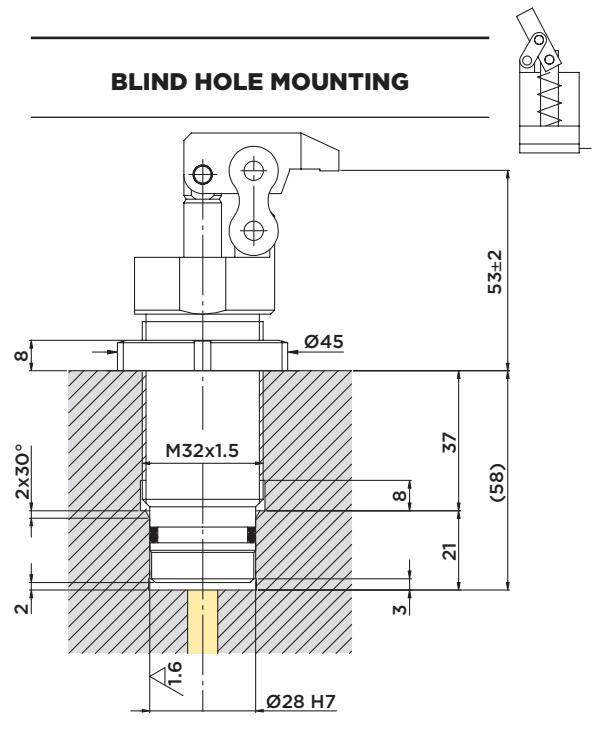
Material:

- Piston/rod/bolts: Case-hardened steel, ground.
- Body: Free machining steel, nitrocarburized.
- Connecting link: Commercial type.
- Clamp arm: C45.

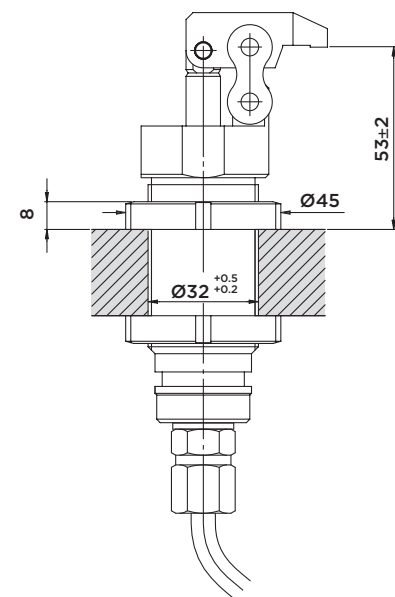
Options:

- Upon request, different clamp arm types can be manufactured to customer specification, mounted and commissioned.
- The link clamp cylinder can also be ordered without clamp arm (order no. CGF32.0N)

BLIND HOLE MOUNTING



THROUGH-HOLE MOUNTING



STROKE mm	EFFECTIVE PISTON AREA	TOTAL OIL VOLUME
	Cm ²	Cm ³
TOTAL 15	CLAMP.	CLAMP.
	3.14	4.7



HYDROBLOCK